

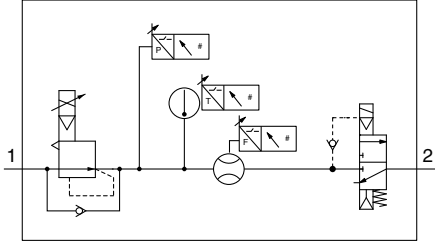
# Air Management System Electro-Pneumatic Regulator Type



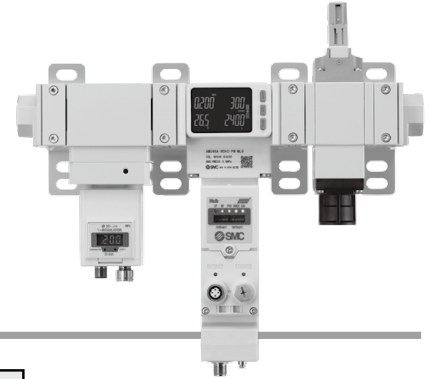
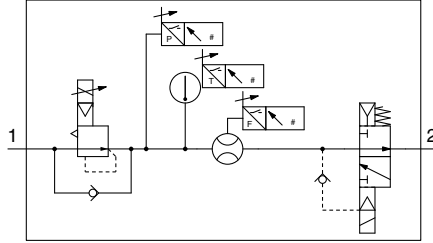
RoHS

# AMS20A/30A/40A/60A Series

Symbol  
N.C.



N.O.



## How to Order

AMS **40** **A** - **F** **04** **C** - **PN** - **M** **L** **G** -   

1

2

3

4

5

6

7



Made to Order

p. 56

<b>X101</b>	Without residual pressure relief 3-port solenoid valve
<b>X102</b>	Without standby regulator

		Symbol	Description	1				
				Body size				
				20	30	40	60	
2	Pipe thread type	R	Rc	●	●	●	●	
		N	NPT	●	●	●	●	
		F	G	●	●	●	●	
		H	Without attachments	●	●	●	●	
		+						
3	Port size	01	1/8	●	—	—	—	
		02	1/4	●	●	—	—	
		03	3/8	—	●	●	—	
		04	1/2	—	—	●	—	
		06	3/4	—	—	—	●	
		10	1	—	—	—	●	
		+						
4	Electro-Pneumatic regulator, Residual pressure relief 3-port solenoid valve	N.O./N.C.	C	N.C. (Normally closed)	●	●	●	●
			D	N.O. (Normally open)	●	●	●	●
		+						
5	Air management hub	Protocol	SA	Standalone (When wireless adapter is connected*3: Wireless remote)	●	●	●	●
			PN	PROFINET, OPC UA (When wireless adapter is connected*3: Wireless base)	●	●	●	●
			EN	EtherNet/IP™, OPC UA (When wireless adapter is connected*3: Wireless base)	●	●	●	●
			EC	EtherCAT*4 (When wireless adapter is connected*3: Wireless base)	●	●	●	●
		+						
6	Electro-Pneumatic regulator, Air management hub	Unit	K*1	EXA1/ITV: Units selection function	●	●	●	●
			M*2	EXA1/ITV: SI units only	●	●	●	●
		+						
7	Residual pressure relief 3-port solenoid valve	Manual override	G	Non-locking push type	●	●	●	●
			E	Push-turn locking type (Manual)	●	●	●	●

\*1 Applies to overseas destinations only

\*2 Fixed units Instantaneous flow: L/min  
Accumulated flow : L  
Pressure : kPa, MPa  
Temperature : °C

\*3 The wireless adapter is sold separately. (Refer to page 48.)

\*4 EtherCAT is not compatible with OPC UA. In addition, the PLC (Programmable Logic Controller)/controller must support EoE (Ethernet over EtherCAT).

\* The connection cable for the standby electro-pneumatic regulator/residual pressure relief valve is connected.

**Standard Specifications: Electro-Pneumatic Regulator Type**

Model		AMS20A	AMS30A	AMS40A	AMS60A
Component*1	Standby electro-pneumatic regulator	ITV2050-20	ITV2050-30	ITV3050-40	ITV3050-60
	Air management hub	EXA1-20	EXA1-30	EXA1-40	EXA1-60
	Residual pressure relief 3-port solenoid valve	VP346E	VP546E	VP746E	VP946E
Port size		1/8, 1/4	1/4, 3/8	3/8, 1/2	3/4, 1
Fluid		Air			
Rated flow range		5 to 500 L/min	10 to 1000 L/min	20 to 2000 L/min	40 to 4000 L/min
Ambient and fluid temperatures		0 to 50°C			
Proof pressure		1.0 MPa			
Max. operating pressure		0.8 MPa			
Supply pressure range		0.3 to 0.8 MPa			
Set pressure range		0.2 to 0.7 MPa			
Standby pressure range		0.2 to 0.4 MPa			
Power supply voltage		24 VDC ±10%			
Current consumption		500 mA or less			
Input/Output		DI x 2 DI, DO IO-Link, DI			
Enclosure		IP65 (Electrical equipment part only)			
Weight		2200 g	2500 g	3800 g	5800 g

\*1 Refer to the table below for the single unit specifications of the components.  
 · Standby electro-pneumatic regulator p. 25  
 · Air management hub p. 21  
 · Residual pressure relief 3-port solenoid valve p. 30

AMS20A/30A/  
40A/60A

AMS20B/30B/  
40B/60B

EXA1

ITV2050 to 3050  
-X399

AR20S to 50S

VP346E/546E/746E/  
946E-X660/X661

Accessories

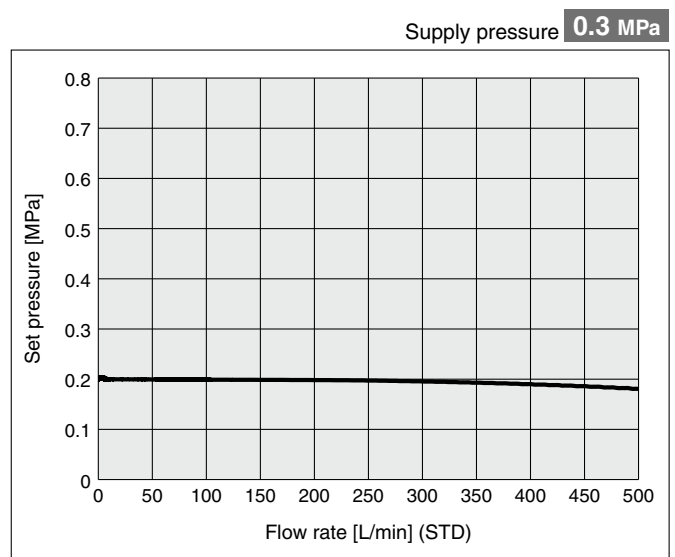
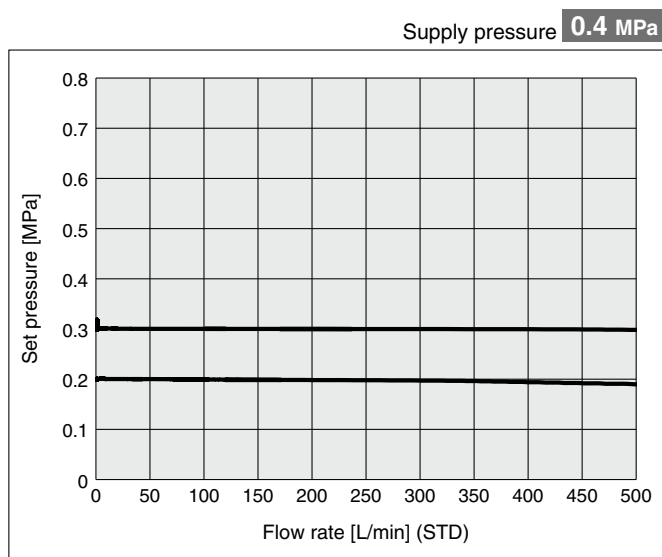
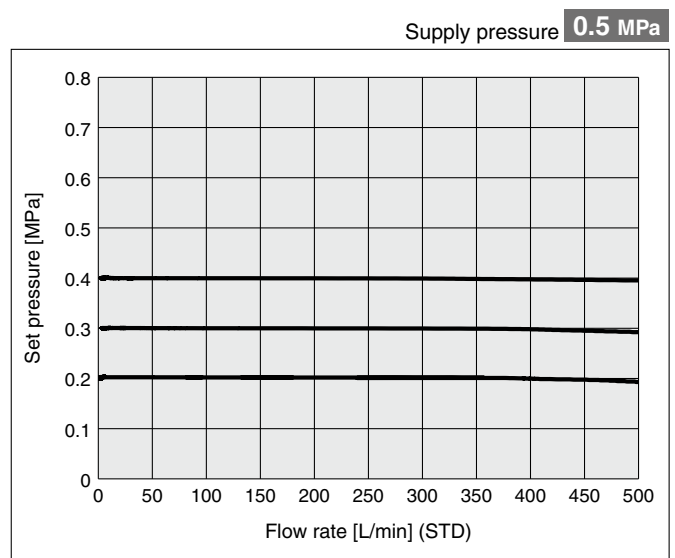
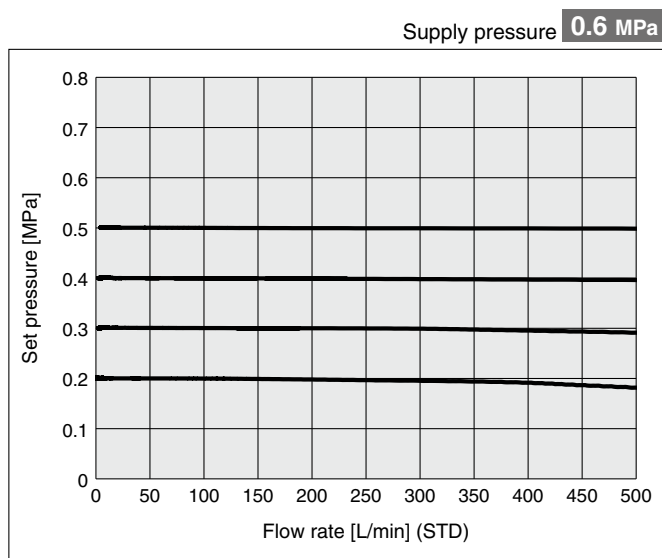
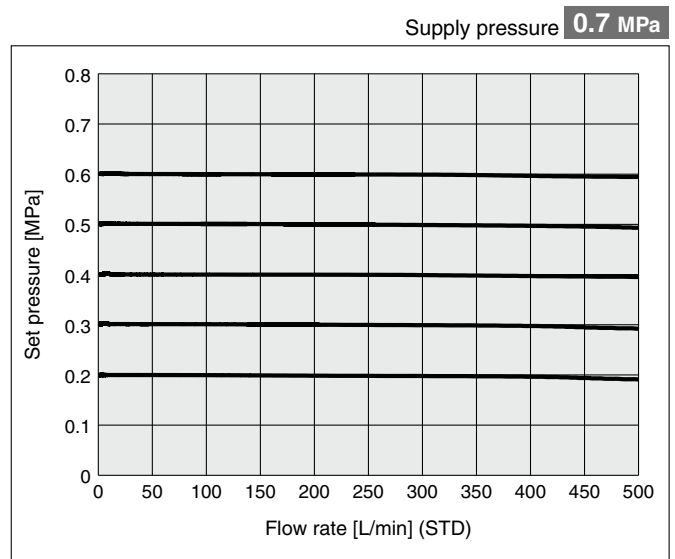
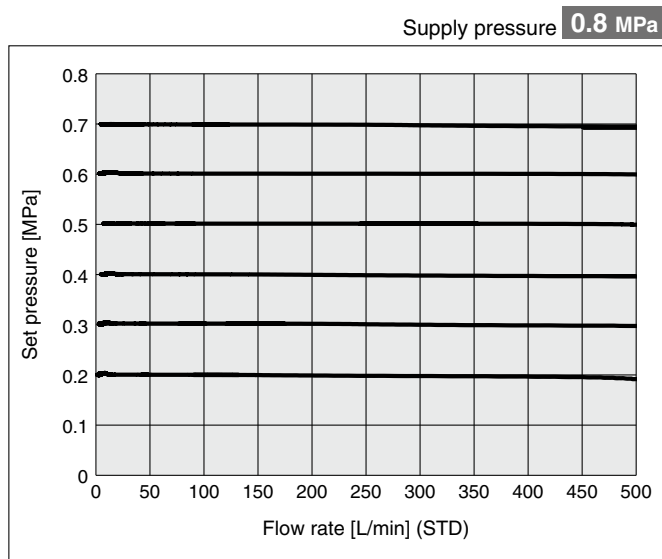
Made to  
Order

Related  
Products

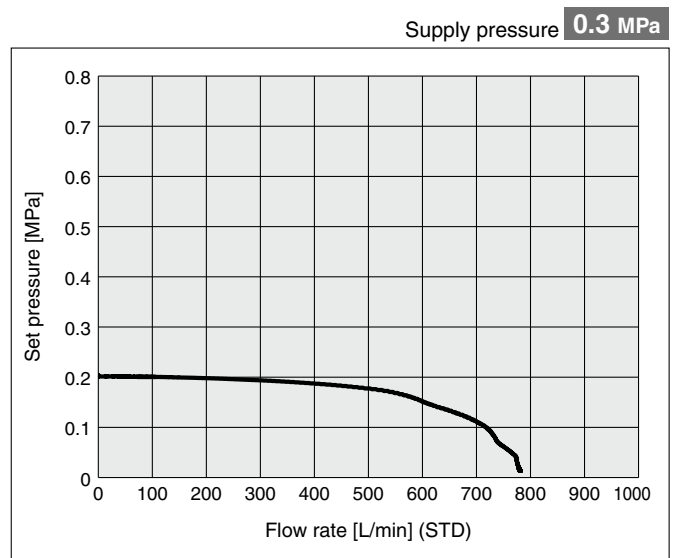
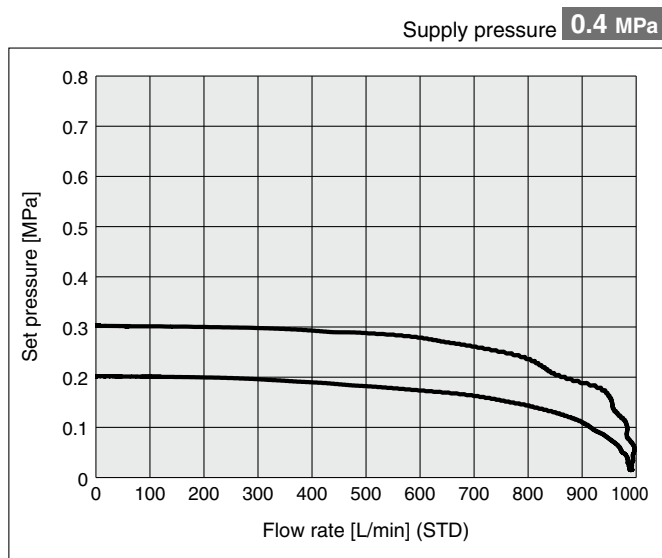
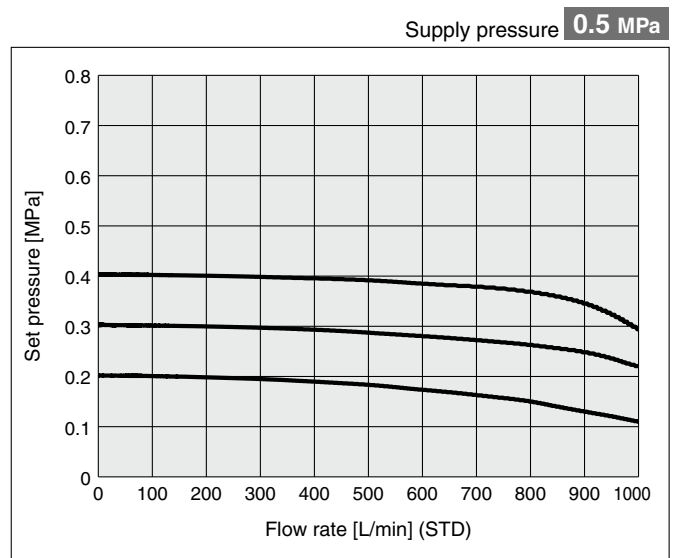
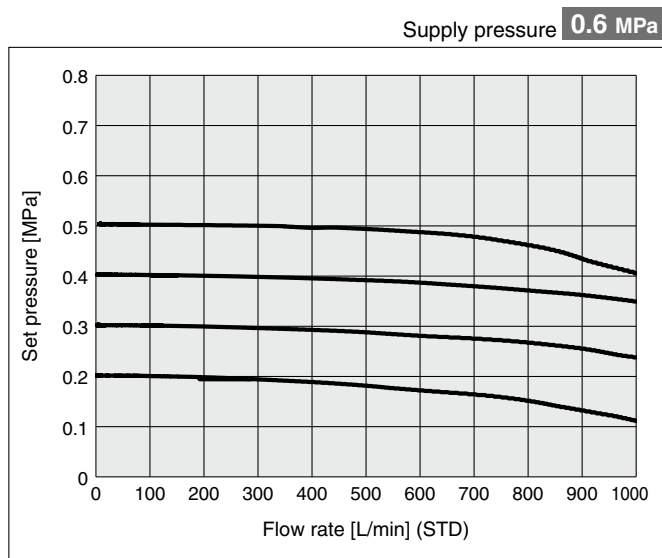
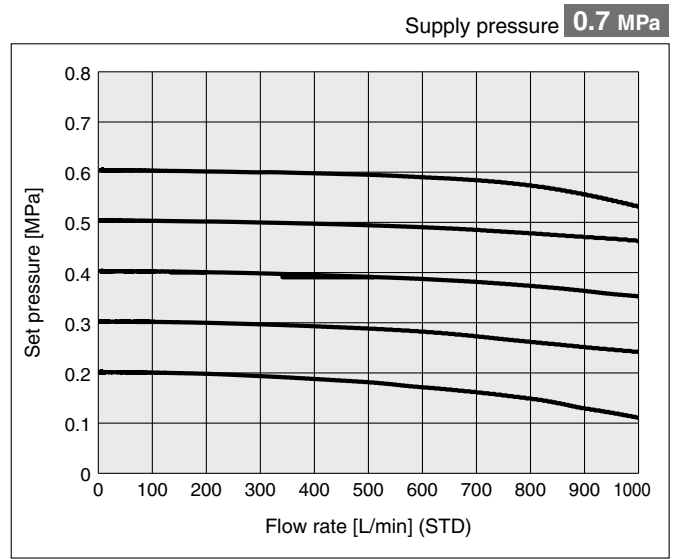
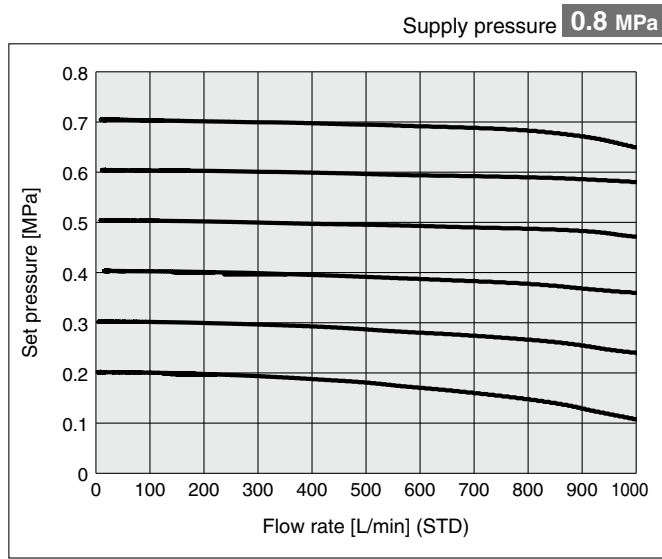
Specific Product  
Precautions

# AMS20A/30A/40A/60A Series

## Flow Rate Characteristics (Representative values): AMS20A/Electro-Pneumatic Regulator Type



## Flow Rate Characteristics (Representative values): AMS30A/Electro-Pneumatic Regulator Type



AMS20A/30A/  
40A/60A

AMS20B/30B/  
40B/60B

EXA1

ITV2050 to 3050  
-X399

AR20S to 50S

VP346E/546E/746E/  
946E-X660/X661

Accessories

Made to  
Order

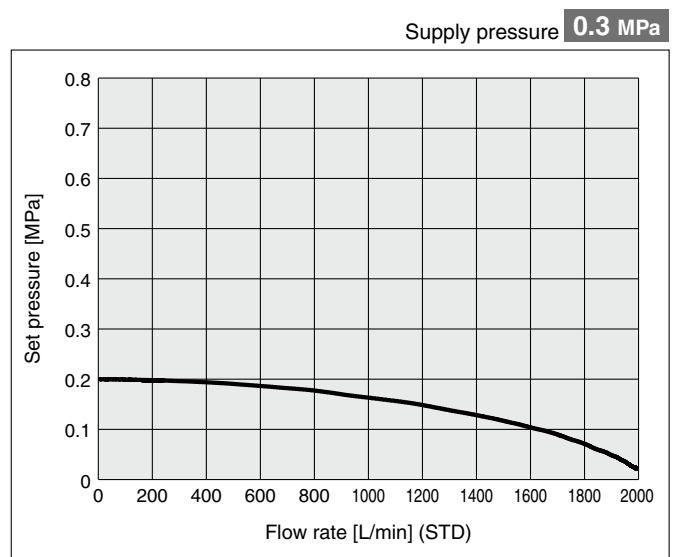
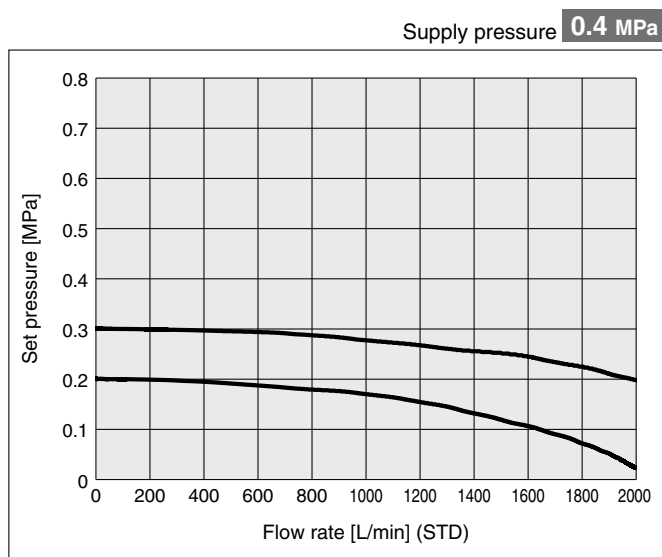
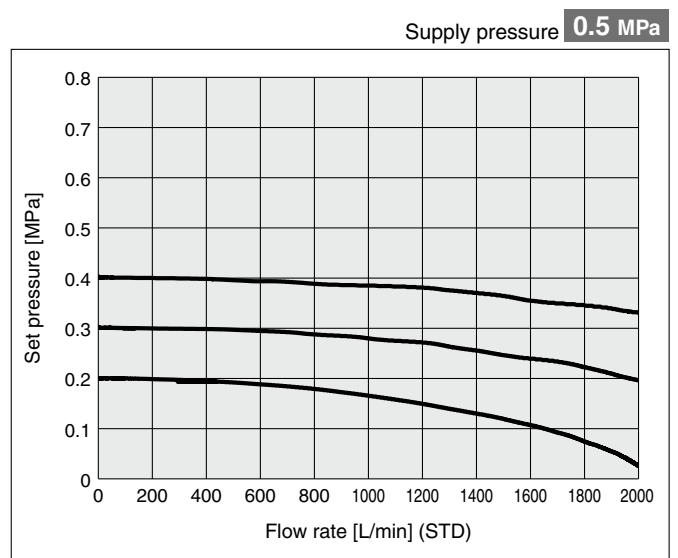
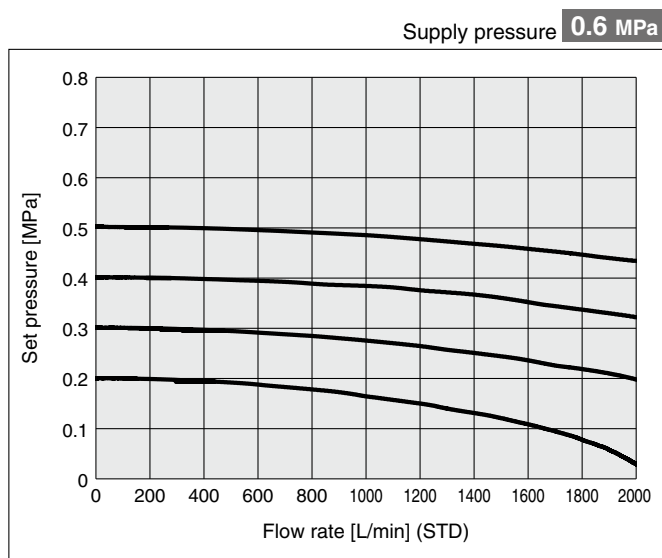
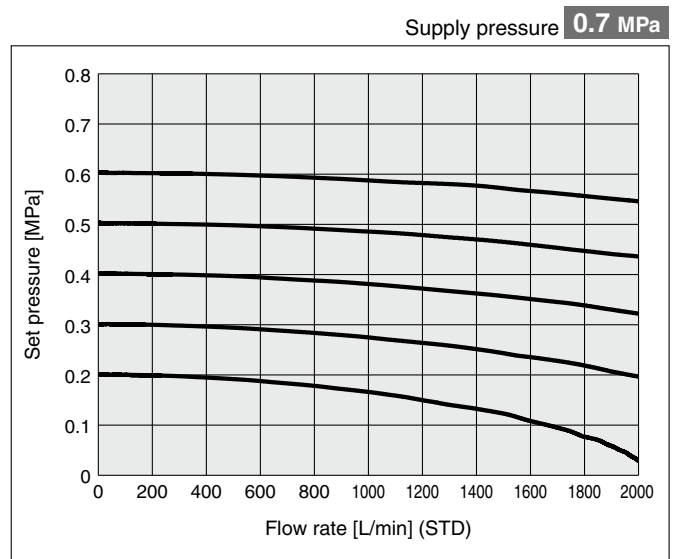
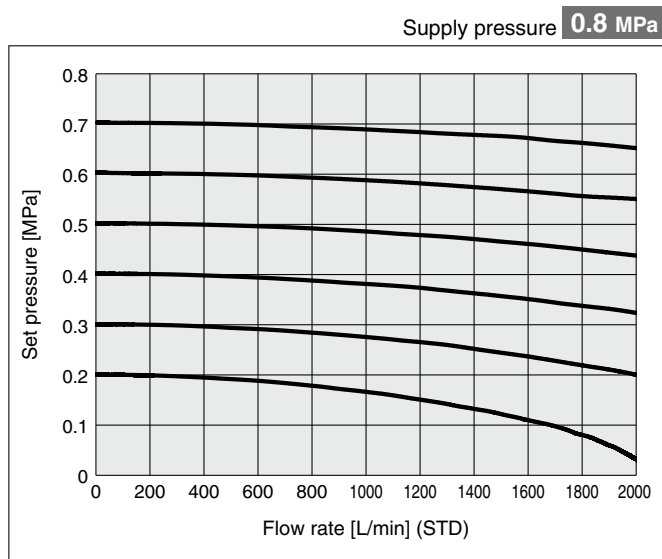
Related  
Products

Specific Product  
Precautions

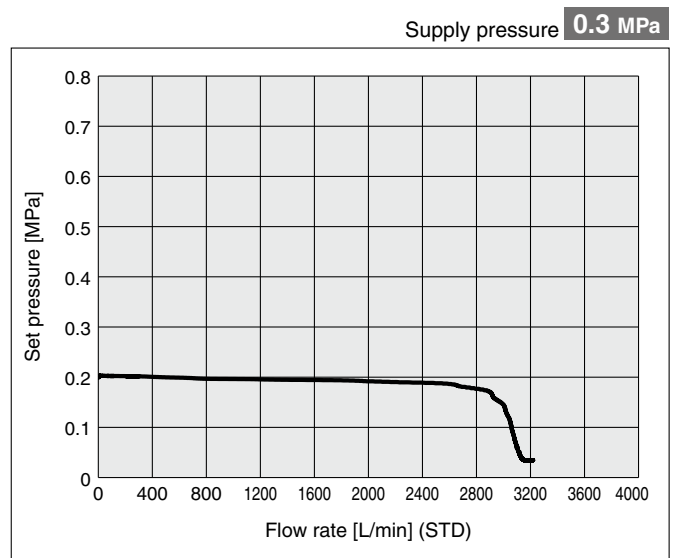
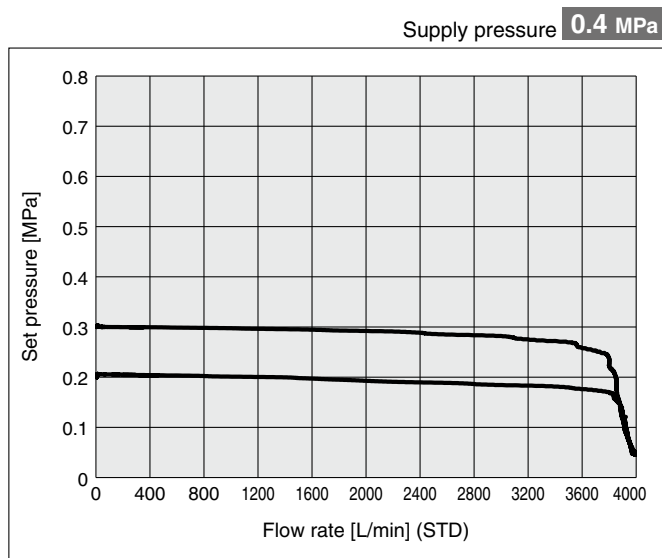
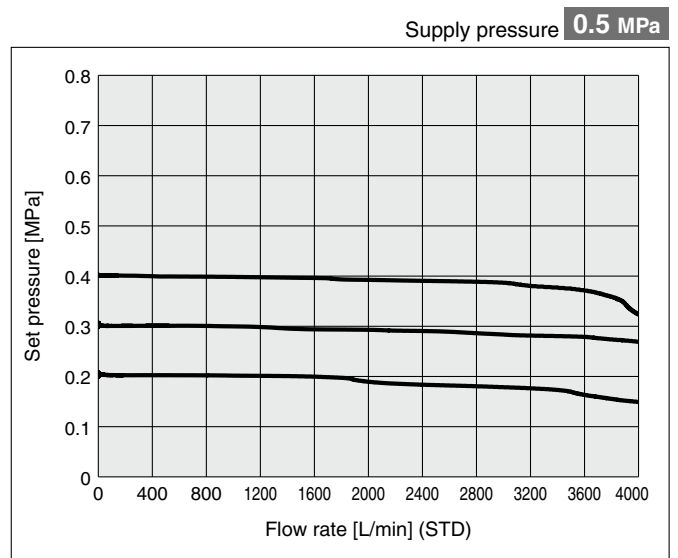
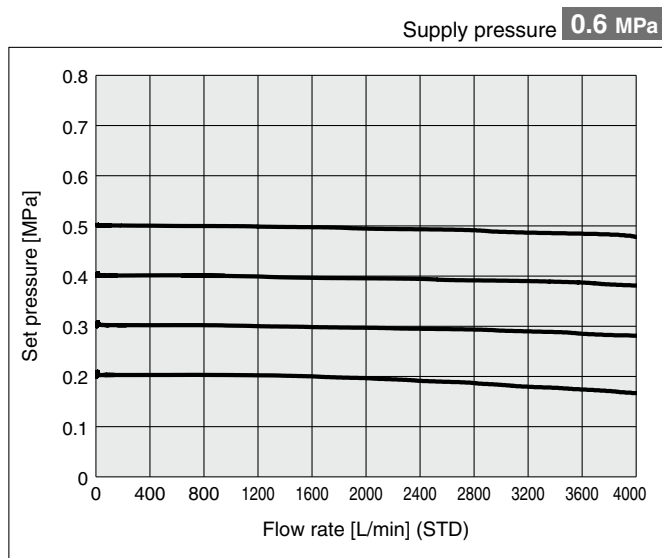
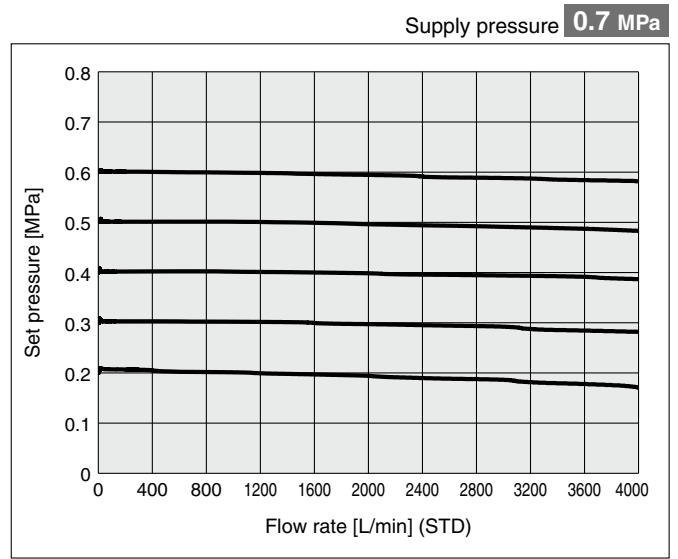
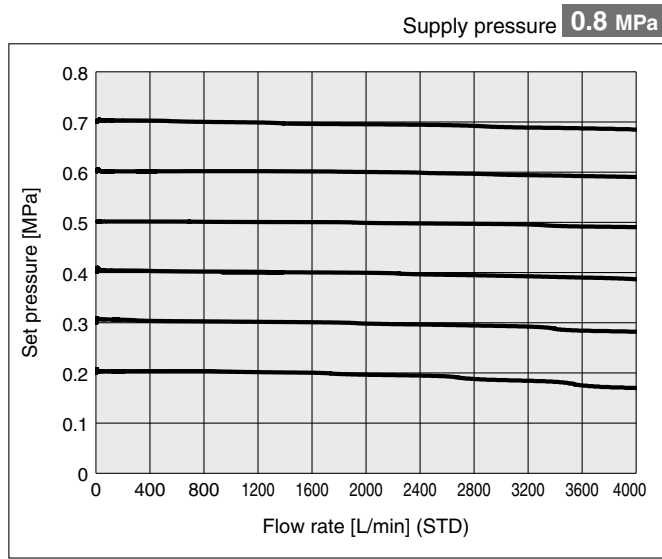


# AMS20A/30A/40A/60A Series

## Flow Rate Characteristics (Representative values): AMS40A/Electro-Pneumatic Regulator Type



## Flow Rate Characteristics (Representative values): AMS60A/Electro-Pneumatic Regulator Type



AMS20A/30A/  
40A/60A

AMS20B/30B/  
40B/60B

EXA1

ITV2050 to 3050  
-X399

AR20S to 50S

VP346E/546E/746E/  
946E-X660/X661

Accessories

Made to  
Order

Related  
Products

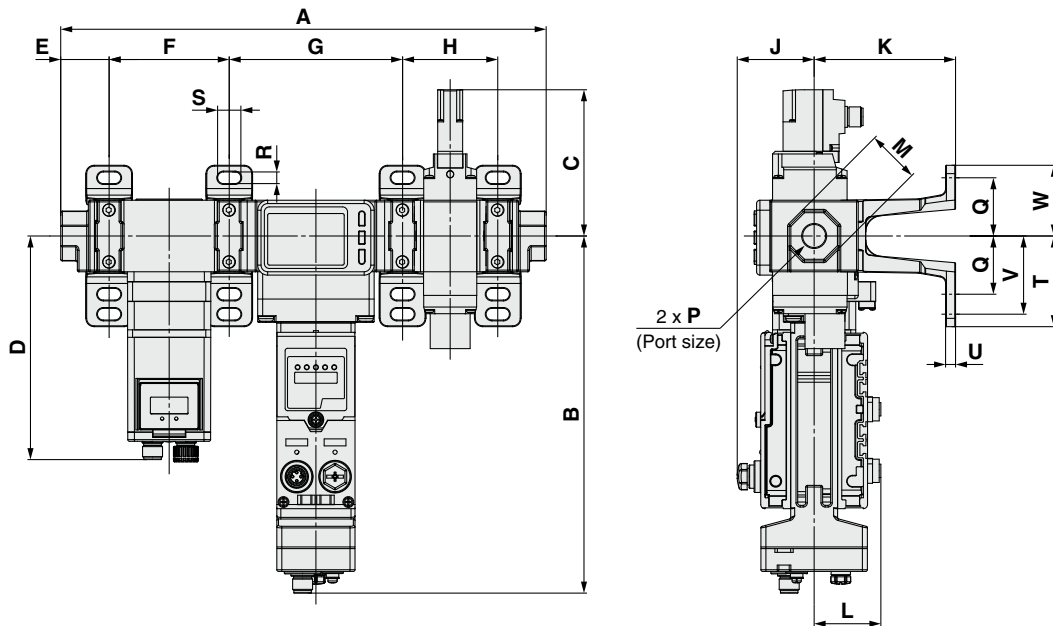
Specific Product  
Precautions

# AMS20/30/40/60 Series

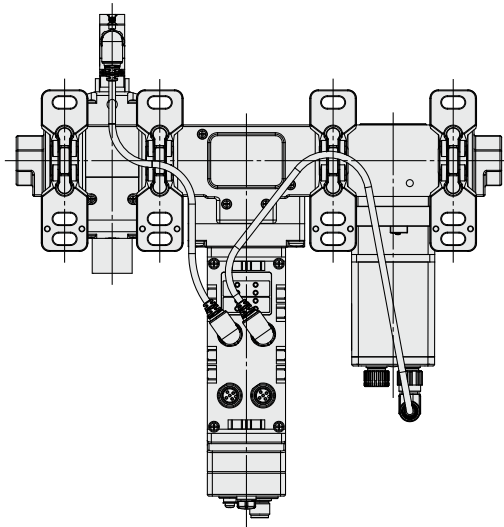
## Dimensions: Electro-Pneumatic Regulator Type

N.C. (Normally closed)

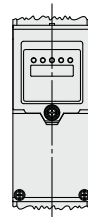
AMS20/30/40/60A-R/N/F□C



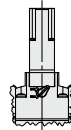
Back side



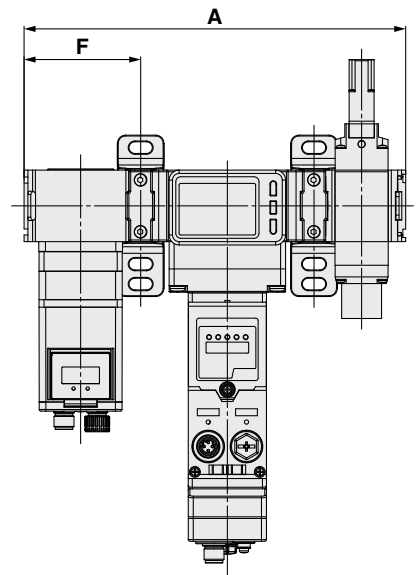
SA: Standalone  
(Wireless remote)



E: Push-turn locking type



AMS20/30/40/60A-H00C  
(Without attachments)



\* With connection cable for standby regulator/  
residual pressure relief valve

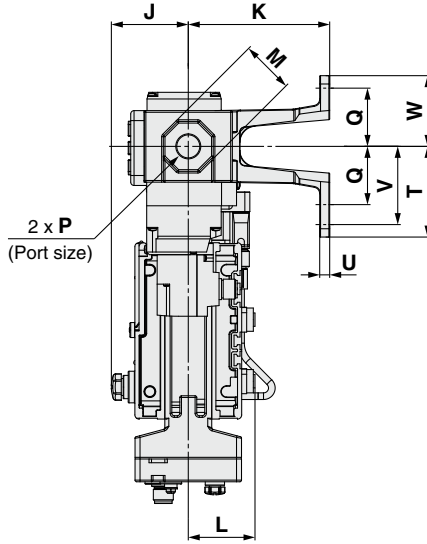
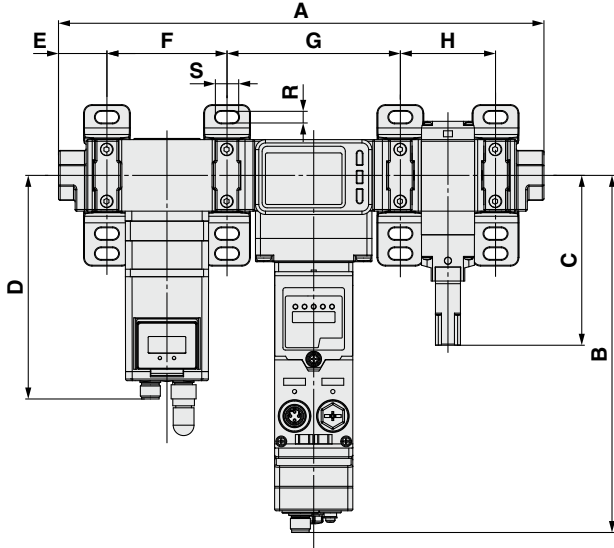
Model	P	A	B	C	D	E	J	M	L	Bracket dimensions										
										K	F	G	H	Q	R	S	T	U	V	W
AMS20A-□C	1/8, 1/4	274.3	214.7	81.7	134.4	25.6	46.2	24	40.1	85	70.2	103.2	49.7	35	7	14	54.5	6	47	42.5
AMS30A-□C	1/4, 3/8	291.8	214.7	87.9	134.4	29.1	46.2	30	40.1	85	72.2	104.2	57.2	35	7	14	54.5	6	47	42.5
AMS40A-□C	3/8, 1/2	334.8	214.9	92.4	151.6	32.6	46.2	36	40.1	85	89.2	105.2	75.2	40	9	18	65	7	55	50
AMS60A-□C	3/4, 1	401.8	214.8	93.7	151.6	42.1	46.2	46	40.1	100	90.2	126.2	101.2	50	11	20	80	8	70	60

Model	P	A	F
AMS20A-H00C	—	219.9	68.6
AMS30A-H00C	—	229.4	70.1
AMS40A-H00C	—	264.4	86.6
AMS60A-H00C	—	311.4	87.1

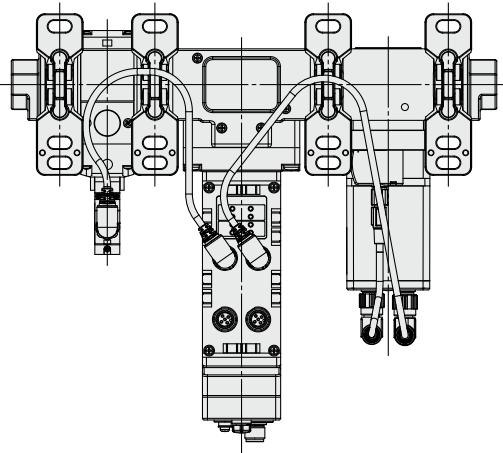
**Dimensions: Electro-Pneumatic Regulator Type**

N.O. (Normally open)

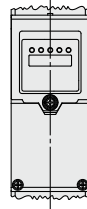
AMS20/30/40/60A-R/N/F□D



Back side



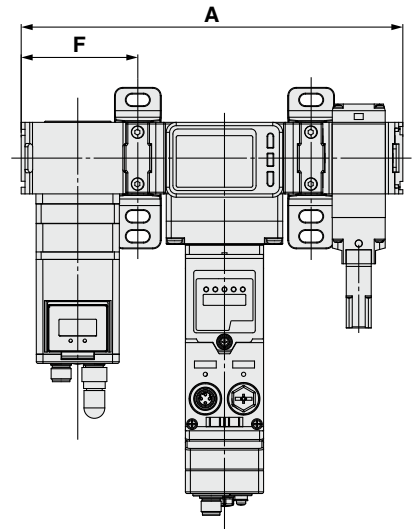
SA: Standalone  
(Wireless remote)



E: Push-turn locking type



AMS20/30/40/60A-H00D  
(Without attachments)



\* With connection cable for standby regulator/  
residual pressure relief valve

Model	P	A	B	C	D	E	J	M	L	Bracket dimensions										
										K	F	G	H	Q	R	S	T	U	V	W
AMS20A-□D	1/8, 1/4	274.3	214.7	85.1	134.4	25.6	46.2	24	40.1	85	70.2	103.2	49.7	35	7	14	54.5	6	47	42.5
AMS30A-□D	1/4, 3/8	291.8	214.7	102.1	134.4	29.1	46.2	30	40.1	85	72.2	104.2	57.2	35	7	14	54.5	6	47	42.5
AMS40A-□D	3/8, 1/2	334.8	214.9	119.4	151.6	32.6	46.2	36	40.1	85	89.2	105.2	75.2	40	9	18	65	7	55	50
AMS60A-□D	3/4, 1	401.8	214.8	117.7	151.6	42.1	46.2	46	40.1	100	90.2	126.2	101.2	50	11	20	80	8	70	60

Model	P	A	F
AMS20A-H00D	—	219.9	68.6
AMS30A-H00D	—	229.4	70.1
AMS40A-H00D	—	264.4	86.6
AMS60A-H00D	—	311.4	87.1

AMS20A/30A/  
40A/60A

AMS20B/30B/  
40B/60B

EXA1

ITV2050 to 3050  
-X399

AR20S to 50S

VP346E/546E/746E/  
946E-X660/X661

Accessories

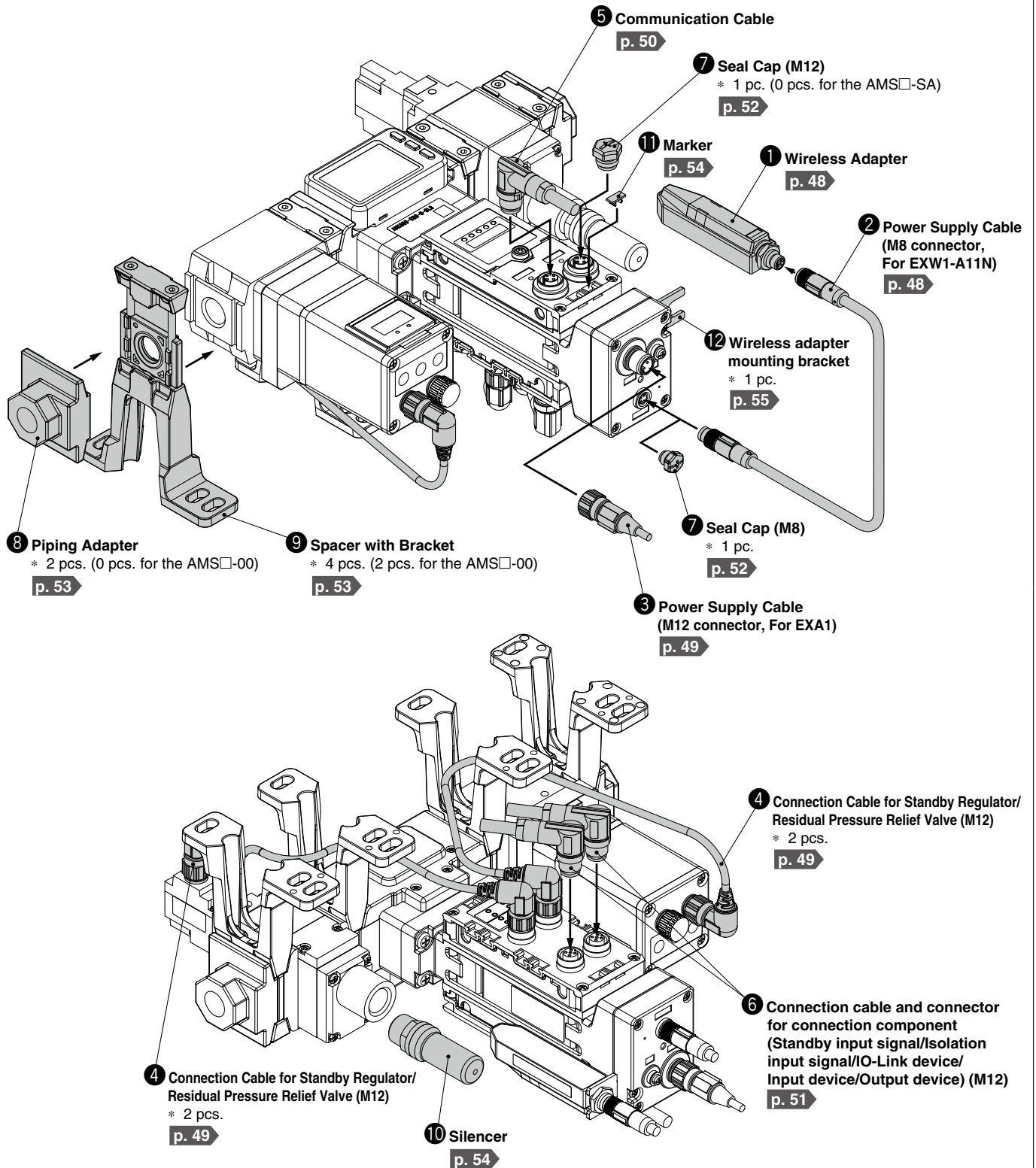
Made to  
Order

Related  
Products

Specific Product  
Precautions

# AMS20/30/40/60 Series Accessories

## List of Accessories



\* The number of pieces included for the AMS model

## ① Wireless Adapter

Wireless adapter for air management hub EXA1

A wireless adapter needs to be connected to both the wireless base and the wireless remote.

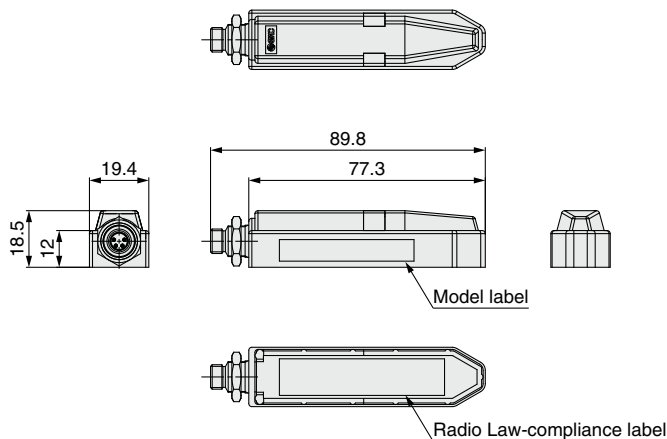
### EXW1-A11N

#### Specifications

	Item	Specifications
Wireless communication	Protocol	SMC original protocol (SMC encryption)
	Radio wave type (spread)	Frequency Hopping Spread Spectrum (FHSS)
	Frequency	2.4 GHz (2403 to 2481 MHz)
	Number of frequency channels	79 ch
	Channel bandwidth	1.0 MHz
	Communication speed	1 Mbps
	Communication distance	Approx. 100 m (Depending on the operating environment)
Electrical	Power supply voltage range	24 VDC +10%
	Current consumption	50 mA or less
General	Enclosure	IP67
	Ambient temperature (Operating temperature)	0 to 50°C
	Ambient temperature (Storage temperature)	-10 to 60°C
	Ambient humidity	35 to 85%RH (No condensation)
	Withstand voltage	500 VAC, 1 min
	Insulation resistance	500 VDC, 10 MΩ or more
	Vibration resistance	Conforms to EN 61131-2 5 <= f < 8.4 Hz 3.5 mm 8.4 <= f < 150 Hz 9.8 m/s <sup>2</sup>
	Impact resistance	Conforms to EN 61131-2 147 m/s <sup>2</sup> , 11 ms
	Standards	CE/UKCA marking, UL (CSA)*1
	Weight	40 g

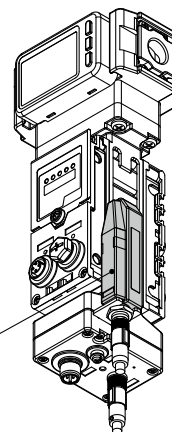
\*1 UL (CSA) compliance applies only when connected to an EXA1 air management hub.

\*2 Please purchase an EXW1-AC-X1 connection cable separately.



#### Connector

M8, 4-pin, plug	Terminal no.	Description
	1	24V (US1)
	2	Internal bus B
	3	0V (US1)
	4	Internal bus A



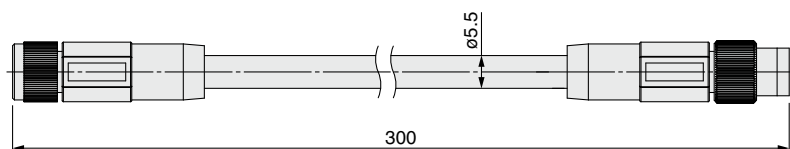
#### Wireless adapter

\* Included parts: Fixing bracket

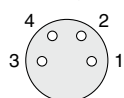
## ② Power Supply Cable [M8 connector, For EXW1-A11N, With connectors on both sides (socket/plug)]

### EXW1-AC1-X1 Straight 0.3 m

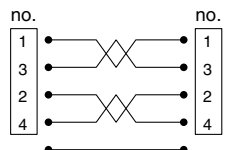
\* This product must be used in a fixed position.



#### Socket connector pin arrangement

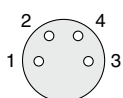


#### Terminal no.



#### Connections

#### Plug connector pin arrangement



Item	Specifications
Cable O.D.	ø5.5 mm
Conductor nominal cross section	AWG24
Wire O.D. (Including insulator)	1.12 mm
Min. bending radius	22 mm

AMS20A/30A/  
40A/60A

AMS20B/30B/  
40B/60B

EXA1

ITV2050 to 3050  
-X399

AR20S to 50S

VP346E/546E/746E/  
946E-X660/X661

Accessories

Made to  
Order

Related  
Products

Specific Product  
Precautions

# AMS20/30/40/60 Series

## ③ Power Supply Cable (M12 connector, For EXA1)

\* The shape of the M12 connector is A-coded (Normal key).

EX500-AP **050** - **S**

Cable length (L)

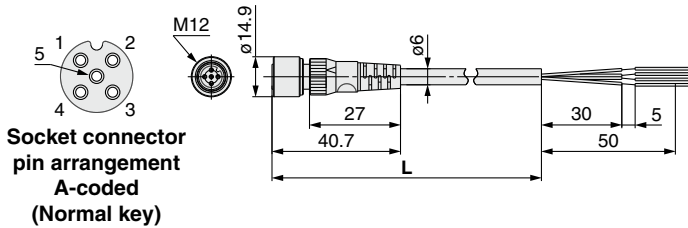
<b>010</b>	1000 mm
<b>050</b>	5000 mm

Connector specification

<b>S</b>	Straight
<b>A</b>	Angled

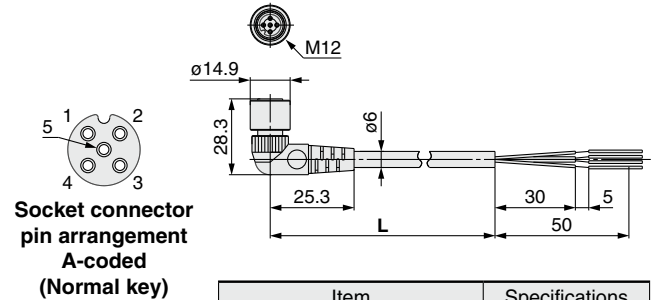


### Straight connector type

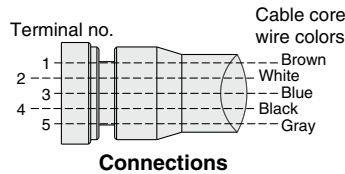


Item	Specifications
<b>Cable O.D.</b>	ø6 mm
<b>Nominal cross section</b>	0.3 mm <sup>2</sup> /AWG22
<b>Wire diameter (Including insulator)</b>	1.5 mm
<b>Min. bending radius</b>	40 mm (Fixed)

### Angled connector type



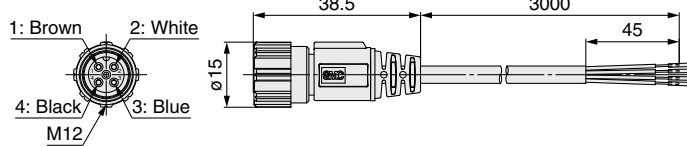
Item	Specifications
<b>Cable O.D.</b>	ø6 mm
<b>Nominal cross section</b>	0.3 mm <sup>2</sup> /AWG22
<b>Wire diameter (Including insulator)</b>	1.5 mm
<b>Min. bending radius</b>	40 mm (Fixed)



## ZS-37-A

Lead wire with M12 connector

Pin no.	Pin name	Wire color
<b>1</b>	DC(+)	Brown
<b>2</b>	N.C.	White
<b>3</b>	DC(-)	Blue
<b>4</b>	N.C.	Black



### Cable Specifications

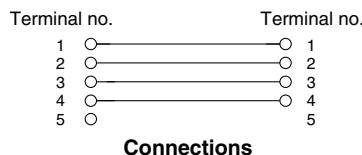
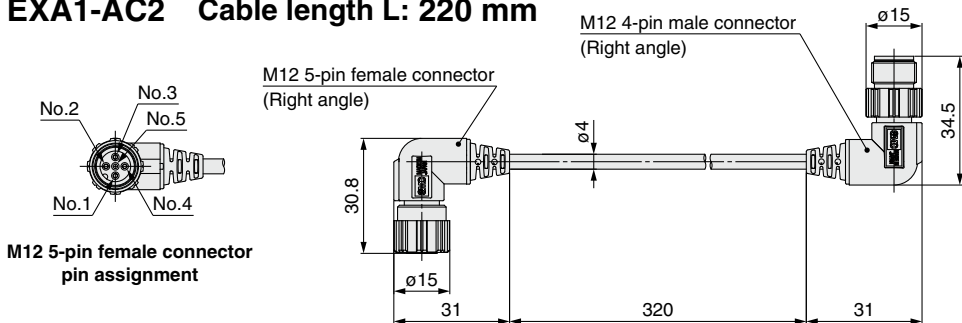
Item	Specifications
<b>Conductor</b>	Nominal cross section AWG23
<b>Insulator</b>	Outside diameter Approx. 1.1 mm
	Color Brown, Blue, Black, White
<b>Sheath</b>	Finished outside diameter ø4

## ④ Connection Cable for Standby Regulator/Residual Pressure Relief Valve [With M12 angle connectors on both sides (male/female)]

EXA1-AC1 Cable length L: 320 mm

EXA1-AC2 Cable length L: 220 mm

\* Included with AMS□A/B air management systems



### Component and Connection Cable Suitable Table

Body size	Standby electro-pneumatic regulator	Standby regulator	Residual pressure relief valve
<b>20</b>			
<b>30</b>	EXA1-AC1	EXA1-AC2	EXA1-AC2
<b>40</b>			EXA1-AC1
<b>60</b>			



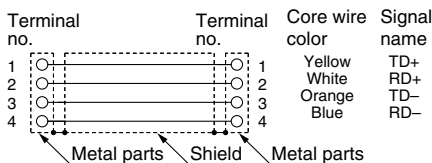
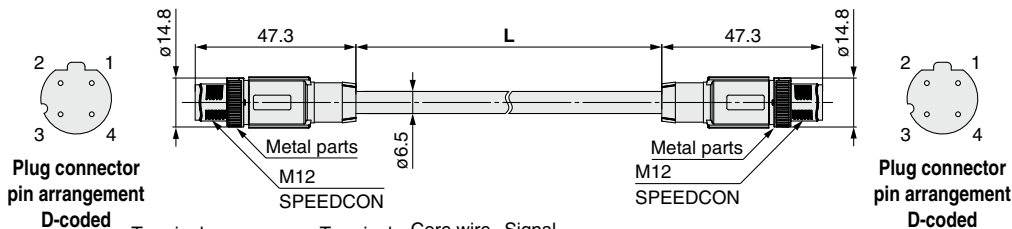
⑤ Communication Cable

For EtherCAT® For PROFINET For EtherNet/IP™

EX9-AC 005 EN-PSPS (With connector on both sides (Plug/Plug))

● Cable length (L)

005	500 mm
010	1000 mm
020	2000 mm
030	3000 mm
050	5000 mm
100	10000 mm



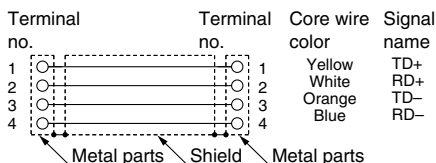
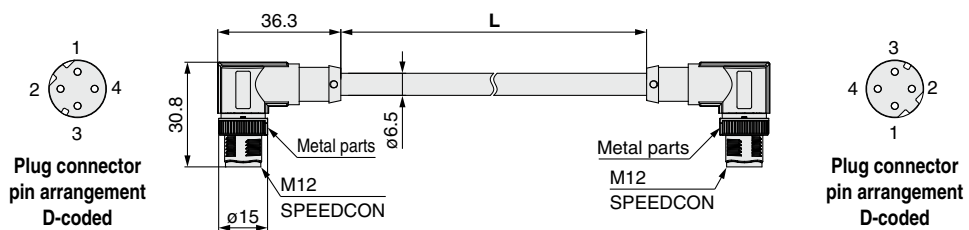
Item	Specifications
<b>Cable O.D.</b>	ø6.5 mm
<b>Conductor nominal cross section</b>	0.34 mm <sup>2</sup> /AWG22
<b>Wire O.D. (Including insulator)</b>	1.55 mm
<b>Min. bending radius (Fixed)</b>	19.5 mm

Connections (Straight cable)

EX9-AC 005 EN-PAPA (With angled connector on both sides (Plug/Plug))

● Cable length (L)

005	500 mm
010	1000 mm
020	2000 mm
030	3000 mm
050	5000 mm
100	10000 mm



Item	Specifications
<b>Cable O.D.</b>	ø6.5 mm
<b>Conductor nominal cross section</b>	0.34 mm <sup>2</sup> /AWG22
<b>Wire O.D. (Including insulator)</b>	1.55 mm
<b>Min. bending radius (Fixed)</b>	19.5 mm

Connections (Straight cable)

AMS20A/30A/  
40A/60A

AMS20B/30B/  
40B/60B

EXA1

ITV2050 to 3050  
-X399

AR20S to 50S

VP346E/546E/746E/  
946E-X660/X661

Accessories

Made to  
Order

Related  
Products

Specific Product  
Precautions



# AMS20/30/40/60 Series

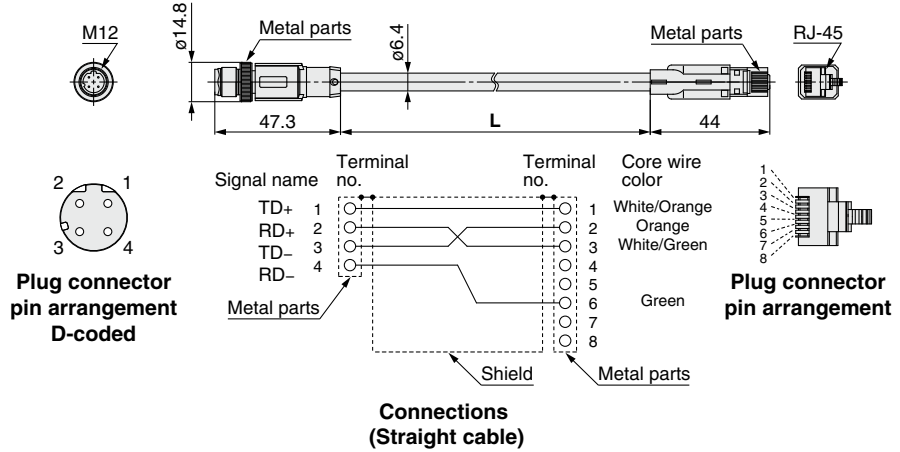
## ⑤ Communication Cable

For EtherCAT® For PROFINET For EtherNet/IP™

EX9-AC 020 EN-PSRJ (Plug/RJ-45 connector)

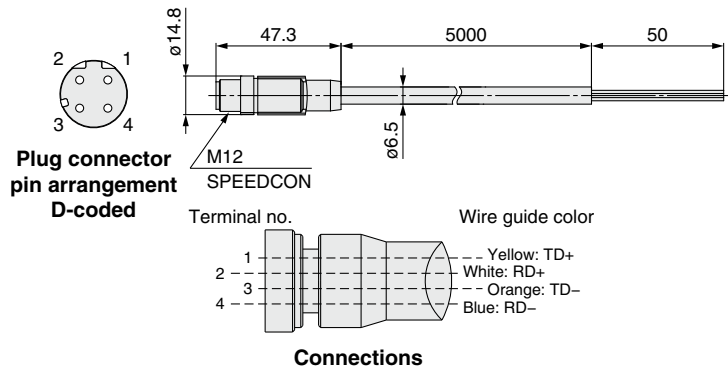
• Cable length (L)

010	1000 mm
020	2000 mm
030	3000 mm
050	5000 mm
100	10000 mm



Item	Specifications
Cable O.D.	$\phi 6.4$ mm
Conductor nominal cross section	0.14 mm <sup>2</sup> /AWG26
Wire O.D. (Including insulator)	0.98 mm
Min. bending radius (Fixed)	26 mm

PCA-1446566 (Plug)



Item	Specifications
Cable O.D.	$\phi 6.5$ mm
Conductor nominal cross section	AWG22
Wire O.D. (Including insulator)	1.55 mm
Min. bending radius (Fixed)	45.5 mm

## ⑥ Connection cable and connector for connection component

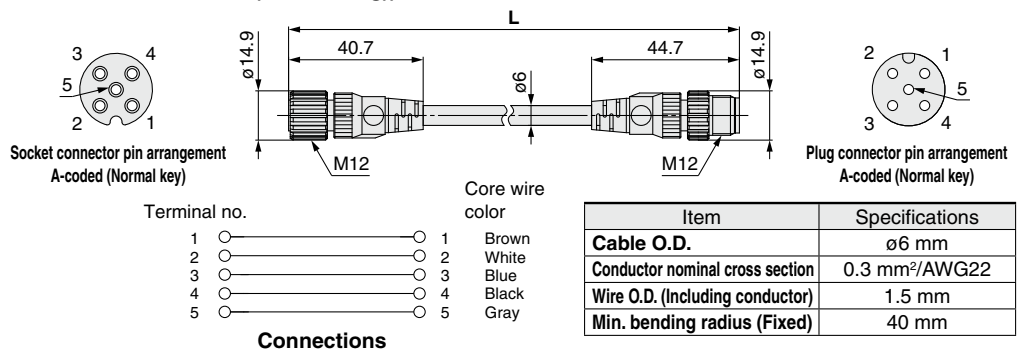
(Standby input signal/Isolation input signal/IO-Link device/Input device/Output device) (M12)

IO-Link Device Cable

EX9-AC 005 -SSPS (With connector on both sides (Socket/Plug))

• Cable length (L)

005	500 mm
010	1000 mm
020	2000 mm
030	3000 mm
050	5000 mm
100	10000 mm



Item	Specifications
Cable O.D.	$\phi 6$ mm
Conductor nominal cross section	0.3 mm <sup>2</sup> /AWG22
Wire O.D. (Including conductor)	1.5 mm
Min. bending radius (Fixed)	40 mm

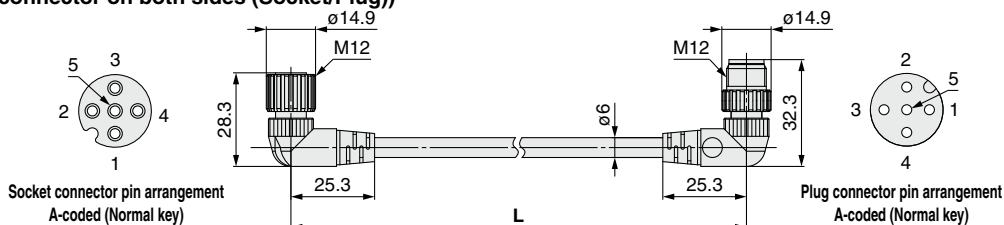
**⑥ Connection cable and connector for connection component**  
 (Standby input signal/Isolation input signal/IO-Link device/Input device/Output device) (M12)

**IO-Link Device Cable**

**EX9-AC 005 -SAPA** (With connector on both sides (Socket/Plug))

**Cable length (L)**

005	500 mm
010	1000 mm
020	2000 mm
030	3000 mm
050	5000 mm
100	10000 mm



Terminal no.	Core wire color
1	Brown
2	White
3	Blue
4	Black
5	Gray

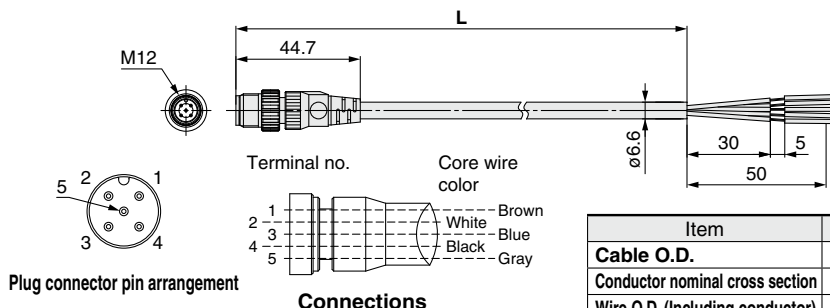
**Connections**

Item	Specifications
<b>Cable O.D.</b>	ø6 mm
<b>Conductor nominal cross section</b>	0.3 mm <sup>2</sup> /AWG22
<b>Wire O.D. (Including conductor)</b>	1.5 mm
<b>Min. bending radius (Fixed)</b>	40 mm

**EX9-AC 030 -7**

**Cable length (L)**

010	1000 [mm]
030	3000 [mm]



Terminal no.	Core wire color
1	Brown
2	White
3	Blue
4	Black
5	Gray

**Connections**

Item	Specifications
<b>Cable O.D.</b>	ø6.6 mm
<b>Conductor nominal cross section</b>	0.3 mm <sup>2</sup> /AWG22
<b>Wire O.D. (Including conductor)</b>	1.65 mm
<b>Min. bending radius (Fixed)</b>	40 mm

**Standby input signal/Isolation input signal/Input device/Output device**

Name	Use	Part no.	Description
<b>Cable with connector</b>	For sensor	<b>PCA-1557769</b>	Cable with M12 connector (4 pins/3 m)
<b>Field-wireable connector</b>	For sensor	<b>PCA-1557743</b>	Field-wireable connector (M12/4 pins/Plug/QUICKON-ONE connection/SPEEDCON)
		<b>PCA-1557756</b>	
<b>Y connector</b>	For sensor	<b>PCA-1557785</b>	Y connector (2 x M12 (5 pins)-M12 (5 pins)/SPEEDCON)
		<b>PCA-1557798</b>	Y connector (2 x M8 (3 pins)-M12 (4 pins)/SPEEDCON)

\* When using the Y connector, connect it to the connector on the I/O unit through the sensor cable (PCA-1557769) with the M12 connector.

**⑦ Seal Cap (10 pcs.)**

Be sure to mount a seal cap on any unused I/O connectors. Otherwise, the specified enclosure cannot be maintained.

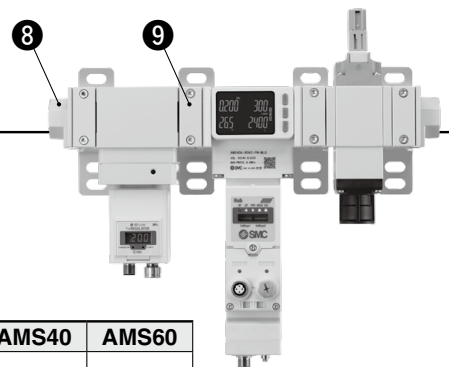


AMS20A/30A/40A/60A  
 AMS20B/30B/40B/60B  
 EXA1  
 ITV2050 to 3050 -X399  
 AR20S to 50S  
 VP346E/546E/746E/946E-X660/X661  
 Accessories  
 Made to Order  
 Related Products  
 Specific Product Precautions

# AMS20/30/40/60 Series

## 8 Piping Adapter

A piping adapter allows for the installation/removal of the component without removing the piping and thus makes maintenance easier.



E 200 - □ 01 - D

Applicable size

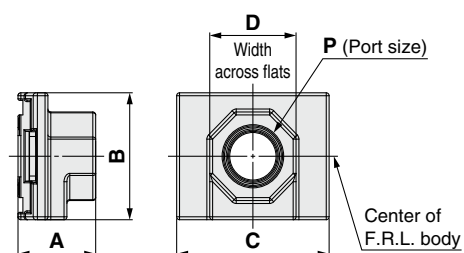
200	AMS20
300	AMS30
400	AMS40
600	AMS60

Thread type

Symbol	Thread type
Nil	Rc
F	G
N	NPT

Port size

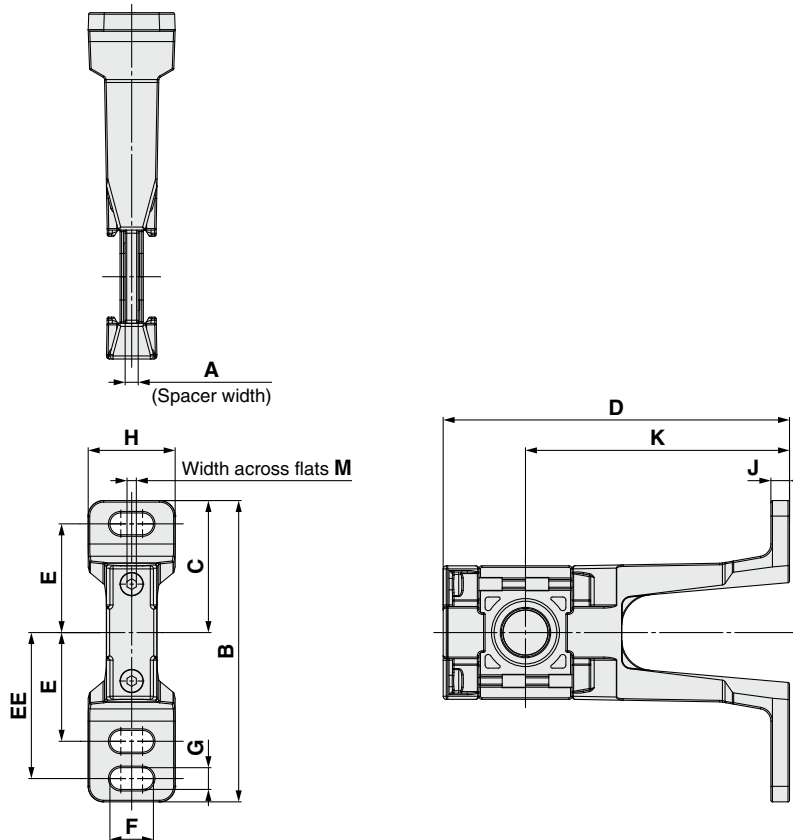
Symbol	Port size	AMS20	AMS30	AMS40	AMS60
01	1/8	●			
02	1/4	●	●		
03	3/8		●	●	
04	1/2			●	
06	3/4				●
10	1				●



Model	P	A	B	C	D
E200-□01-D	1/8	24	35	42	24
E200-□02-D	1/4	24	35	42	24
E300-□02-D	1/4	27	43	53	30
E300-□03-D	3/8	27	43	53	30
E400-□03-D	3/8	30	51	71	36
E400-□04-D	1/2	30	51	71	36
E600-□06-D	3/4	39	64	90	46
E600-□10-D	1	39	64	90	46

\* A spacer with bracket is required for modular unit.

## 9 Spacer with Bracket

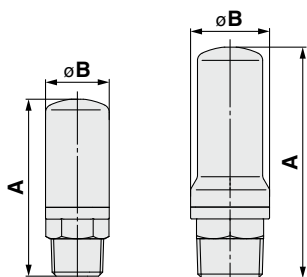


Model	A	B	C	D	E	EE	F	G	H	J	K	M	Applicable size
Y200T-2-D	3.2	97	42.5	106	35	47	14	7	28	6	85	2	AMS20
Y300T-2-D	4.2	97	42.5	111.5	35	47	14	7	28	6	85	3	AMS30
Y400T-1-D	5.2	115	50	120.5	40	55	18	9	32	7	85	3	AMS40
Y600T-2-D	6.2	140	60	145	50	70	20	11	37	8	100	4	AMS60

## ⑩ Silencer

### Compact Resin Type

AN20      AN30, AN40

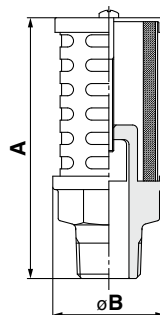


### Dimensions [mm]

Model	Port size R	A	B
AN20-02	1/4	45	16.5
AN30-03	3/8	58.5	20
AN40-04	1/2	68	24

### Metal Body Type

AN500, 600

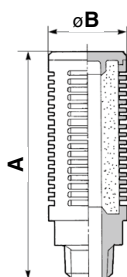


### Dimensions [mm]

Model	Port size R	A	B
AN500-06	3/4	107	46
AN600-10	1	127	50

### High Noise Reduction Type

AN202 to 402

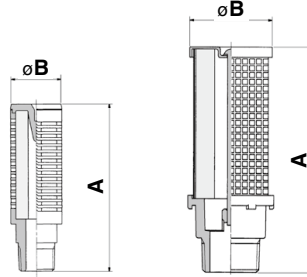


### Dimensions [mm]

Model	Port size R	A	B
AN202-02	1/4	64	22
AN302-03	3/8	84	28
AN402-04	1/2	95	34

### High Noise Reduction Type

ANA1-06      ANA1-10



### Dimensions [mm]

Model	Port size R	A	B
ANA1-06	3/4	111	46
ANA1-10	1	132	50

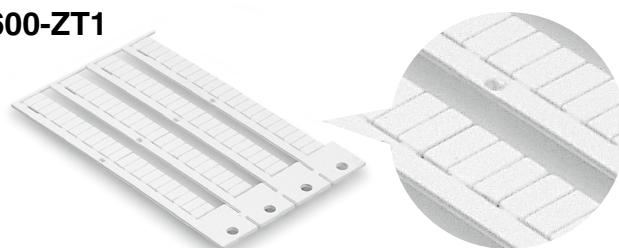
### Compatibility Chart for Residual Pressure Relief Valve and Silencers

	Silencer	Compact resin type					High noise reduction type				
	Model	AN20-02	AN30-03	AN40-04	AN500-06	AN600-10	AN202-02	AN302-03	AN402-04	ANA1-06	ANA1-10
	Port size	1/4	3/8	1/2	3/4	1	1/4	3/8	1/2	3/4	1
VP346E	X660 (N.C.)	○	—	—	—	—	○	—	—	—	—
	X661 (N.O.)	○	—	—	—	—	—	—	—	—	—
VP546E	X660 (N.C.)	—	○	—	—	—	—	○	—	—	—
	X661 (N.O.)	—	○	—	—	—	—	—	—	—	—
VP746E	X660 (N.C.)	—	—	○	—	—	—	—	○	—	—
	X661 (N.O.)	—	○	—	—	—	—	—	—	—	—
VP946E	X660 (N.C.)	—	—	—	—	○	—	—	—	—	○
	X661 (N.O.)	—	—	—	○	—	—	—	—	○	—

## ⑪ Marker (1 sheet, 88 pcs.)

The signal name of I/O device and each unit address can be entered and mounted on each unit.

EX600-ZT1



AMS20A/30A/  
40A/60A

AMS20B/30B/  
40B/60B

EXA1

ITV2050 to 3050  
-X399

AR20S to 50S

VP346E/546E/746E/  
946E-X660/X661

Accessories

Made to  
Order

Related  
Products

Specific Product  
Precautions

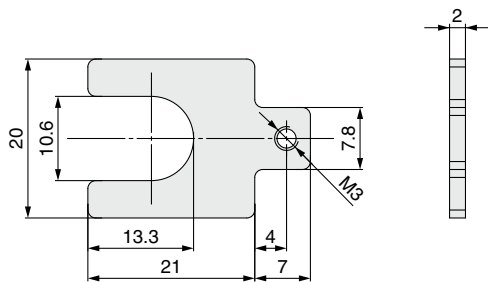
# AMS20/30/40/60 Series

## ⑫ Wireless Adapter Mounting Bracket

---

1 round head combination screw (M3 x 10) is included.

### EXA1-AB1

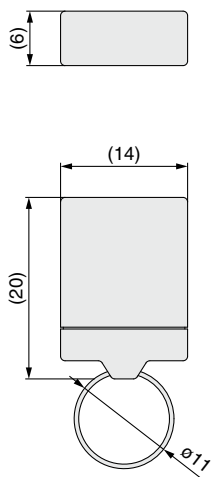


## ⑬ IO-Link Device Tool License Key

---

USB dongle

### EX9-ZSW-LDT1



# AMS20/30/40/60 Series

## Made to Order

Please contact SMC for detailed dimensions, specifications, and lead times.



### 1 Without Residual Pressure Relief 3-Port Solenoid Valve Specification

Symbol  
**X101**

Combination of a standby electro-pneumatic regulator and an air management hub

AMS  A -    -  -  L G - X101

For "How to Order," refer to page 7.

Combination of a standby regulator and an air management hub

AMS  B -    D -  -  L  - X101

For "How to Order," refer to page 13.

### 2 Without Standby (Electro-Pneumatic) Regulator Specification

Symbol  
**X102**

Combination of an air management hub and a residual pressure relief 3-port solenoid valve

AMS  A -    -  -  L  - X102

For "How to Order," refer to page 7.

Combination of an air management hub and a residual pressure relief 3-port solenoid valve (with soft start-up function)

AMS  B -    -  -  L  - X102

\* Port size: For the "00" type without attachments, the pipe thread type is fixed as "R."

For "How to Order," refer to page 13.

AMS20A/30A/  
40A/60A

AMS20B/30B/  
40B/60B

EXA1

ITV2050 to 3050  
-X399

AR20S to 50S

VP346E/546E/746E/  
946E-X660/X661

Accessories

Made to  
Order

Related  
Products

Specific Product  
Precautions

# AMS20/30/40/60 Series Related Products

## Compressed Air Preparation Filter Line Filter AFF-D



Series	Port size	Nominal filtration rating [ $\mu\text{m}$ ]
AFF20 to 60-D	1/8, 1/4, 3/8, 1/2, 3/4, 1	1.0 [Filtration efficiency: 99%]

## Air Filter AF-D



Series	Port size	Nominal filtration rating [ $\mu\text{m}$ ]
AF20 to 60-D	1/8, 1/4, 3/8, 1/2, 3/4, 1	5

## Filter Regulator AW-D



Series	Port size	Nominal filtration rating [ $\mu\text{m}$ ]
AW20 to 60-D	1/8, 1/4, 3/8, 1/2, 3/4, 1	5